

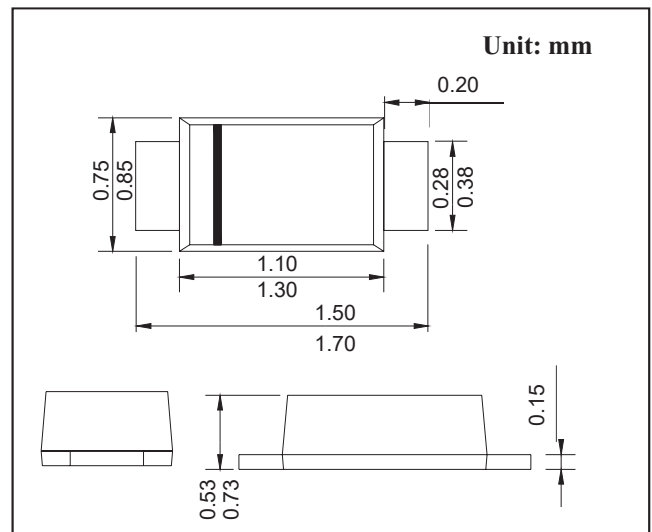
GC8) & ***Small Signal Switching Diodes

FEATURES

- High-Speed Switching Applications
- Lead Finish: 100% Matte Sn (Tin) Qualified
- Reflow Temperature: 260 °C
- Extremely Small SOD-523 Package

MECHANICAL DATA

- Case: SOD-523 Small Outline Plastic Package
- Polarity: Color band denotes cathode end
- Mounting Position: Any



MAXIMUM RATINGS AND CHARACTERISTICS

@ 25°C Ambient Temperature (unless otherwise noted)

Symbol	Parameter	Value	Unit
V_R	Reverse Voltage	75	V
I_F	Forward Continuous Current	200	mA
I_{FSM}	Non-repetitive Peak Forward Surge Current@ $t=8.3ms$	2	A
P_D	Power Dissipation	150	mW
$R_{\theta JA}$	Thermal Resistance from Junction to Ambient	833	°C/W
T_j	Junction Temperature	150	°C
T_{stg}	Storage Temperature	-55~+150	°C

Electrical Specification (T_A=25°C unless otherwise specified)

Parameter	Symbol	Min	Typ	Max	Unit	Conditions
Reverse breakdown voltage	$V_{(BR)}$	75				$I_R=100\mu A$
Forward voltage	V_{F1}			715	mV	$I_F=1mA$
	V_{F2}			855		$I_F=10mA$
	V_{F3}			1000		$I_F=50mA$
	V_{F4}			1250		$I_F=150mA$
Reverse recovery Time	t_{rr}			6.0	ns	$I_F=I_R=10mA_{dc}, R_L=50\Omega$
Reverse current	I_R			1.0	μA	$V_R=75V$
Forward recovery voltage	V_{FR}			1.75		$I_F=10mA, t_r=20ns$
Diode capacitance	C_D			2.0		$V_R=0V, f=1MHz$
Stored charge	Q_S			45	p	$I_F=10mA, V_R=5.0V, R_L=500\Omega$

RATINGS AND CHARACTERISTIC CURVES

